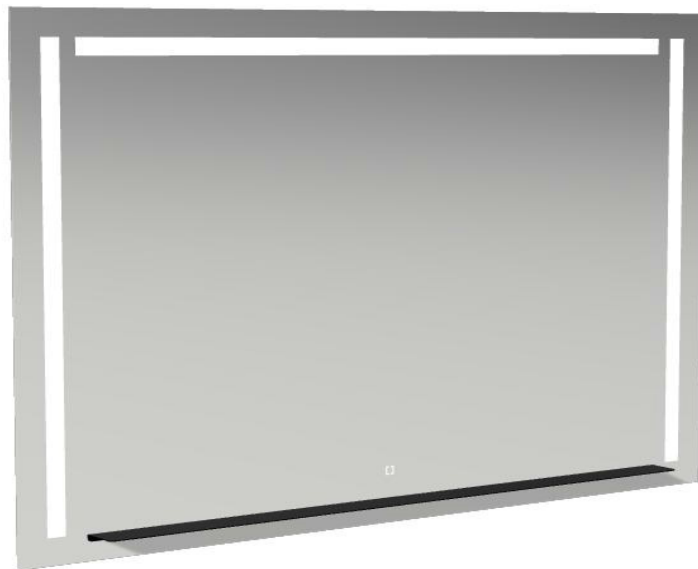


SKYLIGHT INSTALLATION INSTRUCTIONS

Please read these instructions first. We reserve the right to change product specifications due to possible technical improvements.



SKYLIGHT INSTALLATION INSTRUCTIONS

1. Warnings and precautions for use regarding the electrical connectons.

Our products must be used indoors only. The electricity connection and possible subsequent electric interventions must only be done by a qualified electrician who will operate in accordance with the country instructions and current regulations in terms of electricity.

Touch sensor instructions:

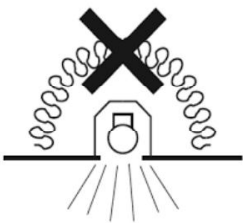
First touch: all the light bars illuminate.

Second touch: the top light bar goes off.

Third touch: all the light bars turn off.

Color change: when lights are on, a quick double touch changes the Kelvin temperature (3000K - 4000K or 6000K)

Dimmer: when lights are on, hold down the touch sensor and the dimmer is activated.

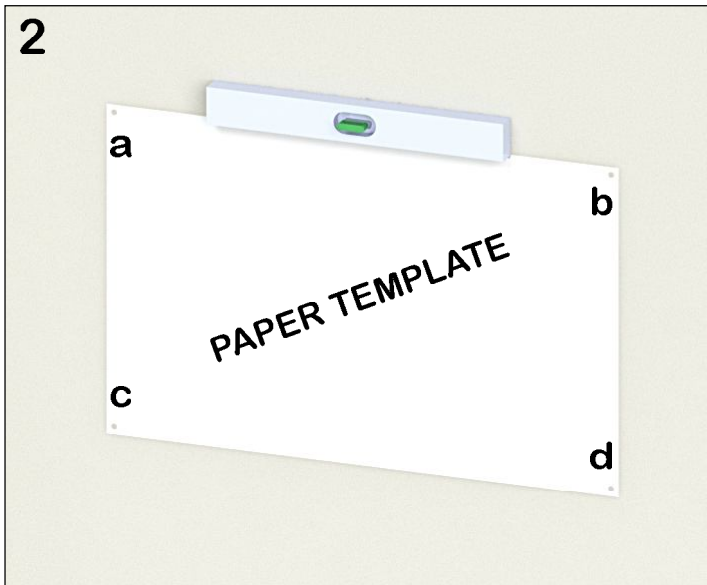


Appliance not suitable for being covered with thermal insulation material.



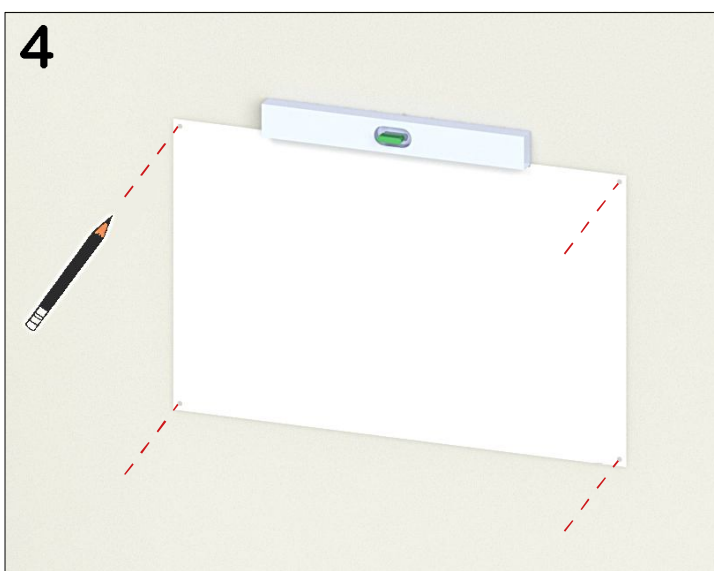
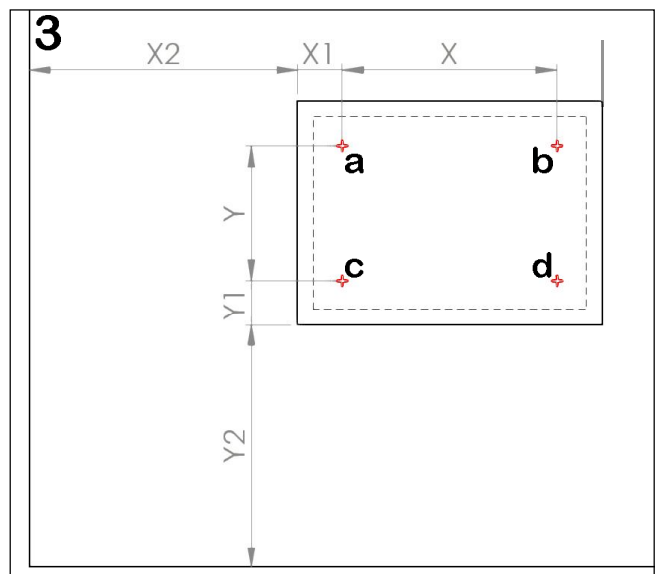
Appliance for indoor use only.

SKYLIGHT INSTALLATION INSTRUCTIONS



- 2.** In order to facilitate installation we have included a paper template to drill the holes in the wall.

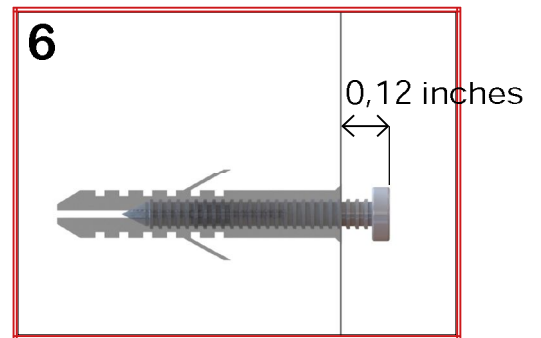
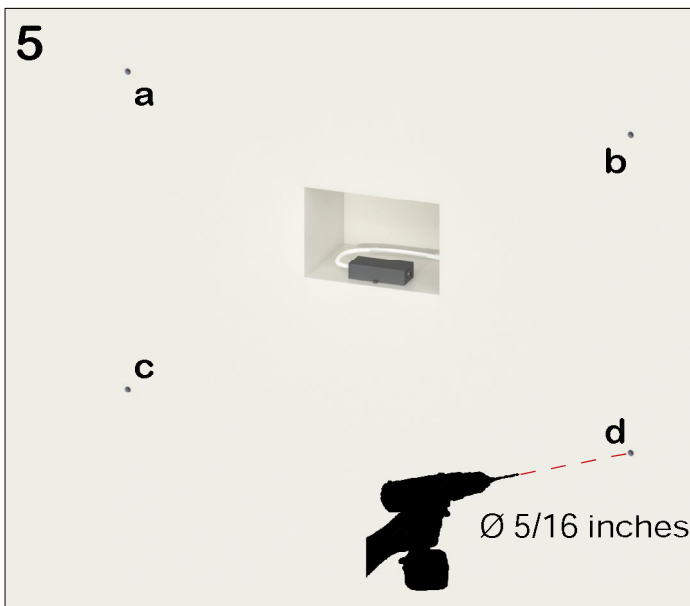
- 3.** Unfold the paper template and apply on the mirror back to ensure that the holes match up.



- 4.** Tape the paper template to the wall taking into consideration the position of the mounting holes and the mirror edge. With a level, position the template so that it is perfectly level.

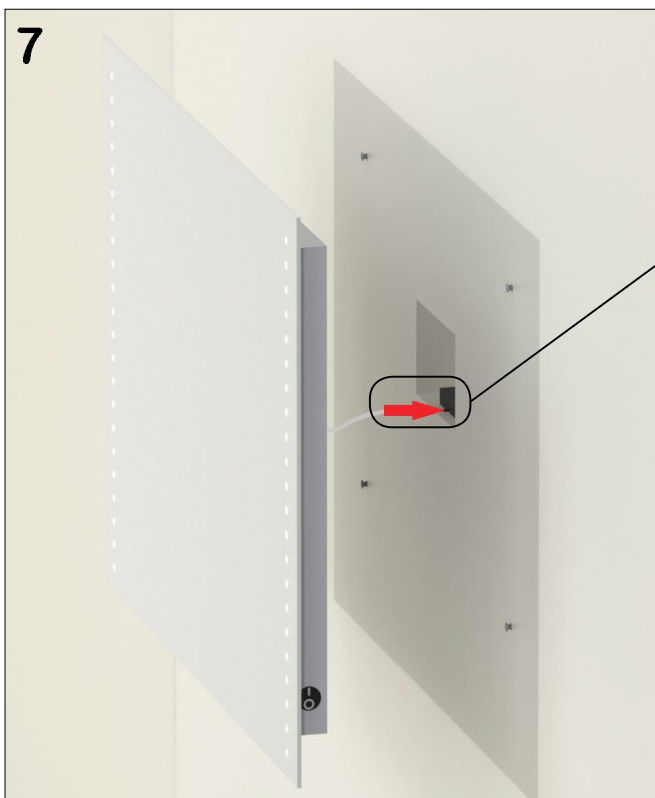
SKYLIGHT INSTALLATION INSTRUCTIONS

- 5.** Ensure that there are no water pipes or electrical wiring behind the fixing points.

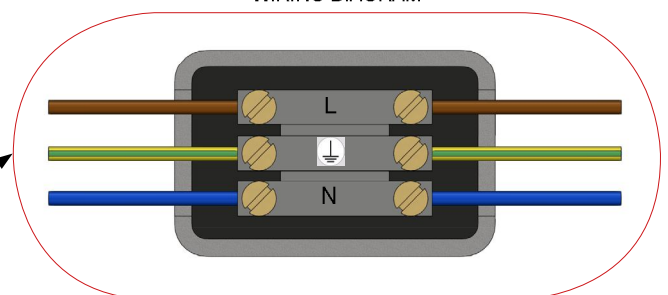


a-b-c-d

- 6.** Drill and insert the screw anchors suited to the type of wall to which the mirror will be fixed (only screws in the case of wood studs)



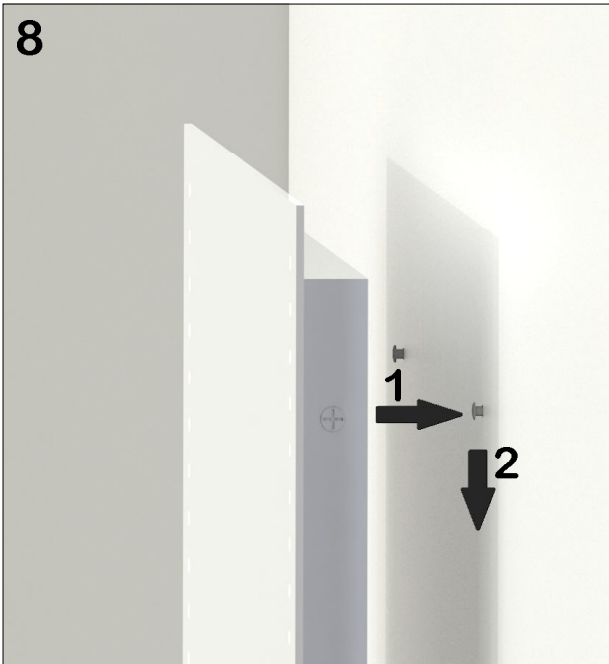
WIRING DIAGRAM



- 7.** Connect the mirror wiring in an approved connector box (not included) which can be inserted into the wall anywhere behind the mirror.

SKYLIGHT INSTALLATION INSTRUCTIONS

8. Hang the mirror.

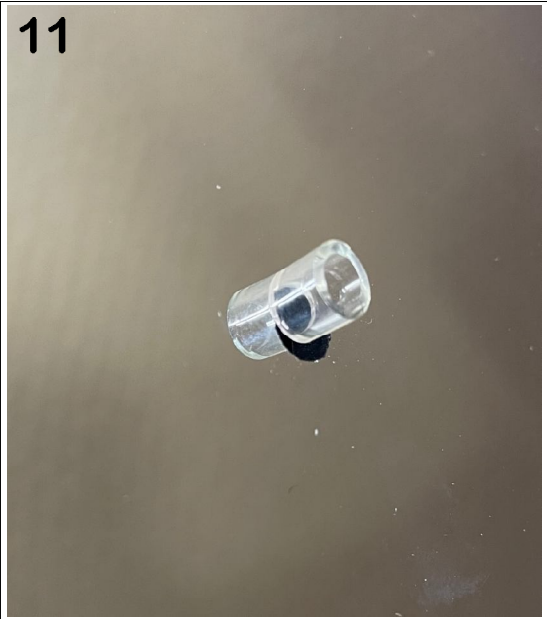


9. Shelf assembly hardware



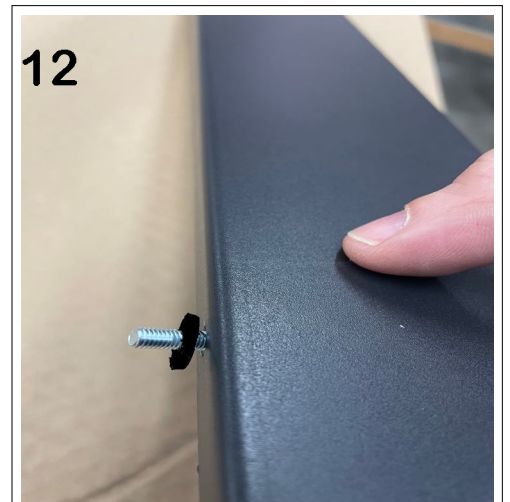
SKYLIGHT INSTALLATION INSTRUCTIONS

11



11. Insert transparent rubber into the mirror holes

12



12. Put the spacer rubber and the screw cover base as shown in the photo.

12a

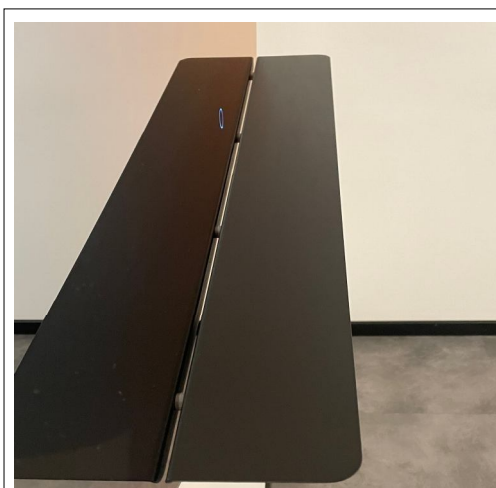


SKYLIGHT INSTALLATION INSTRUCTIONS

- 13.** Tighten the screws manually with a screwdriver, tighten them moderately to avoid breaking the mirror



- 14.** Put the screw caps on



SKYLIGHT INSTALLATION INSTRUCTIONS

Operating Instructions:

- The demisting function is ON only when the mirror is illuminated.

Product Care:

- Do not use abrasives or solvent when cleaning the mirror
- Clean off all the water as soon as possible using a soft, damp cloth so that to avoid stains on the surface

Product Life:

- At the end of its useful life, entrust the unit to the local waste disposal company.